

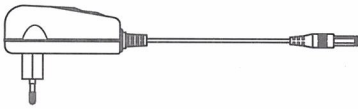
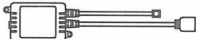

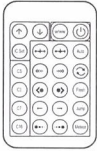


Art.-Nr.: 704.80
704.81 

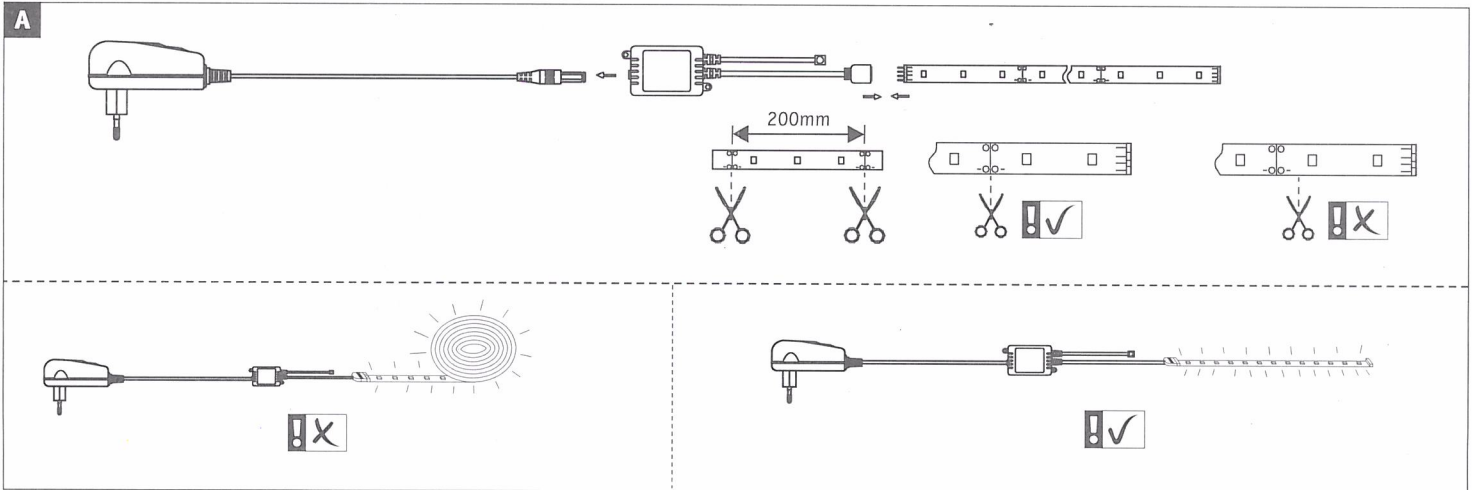
704.80: 5m
704.81: 3m

PLIR 04/18

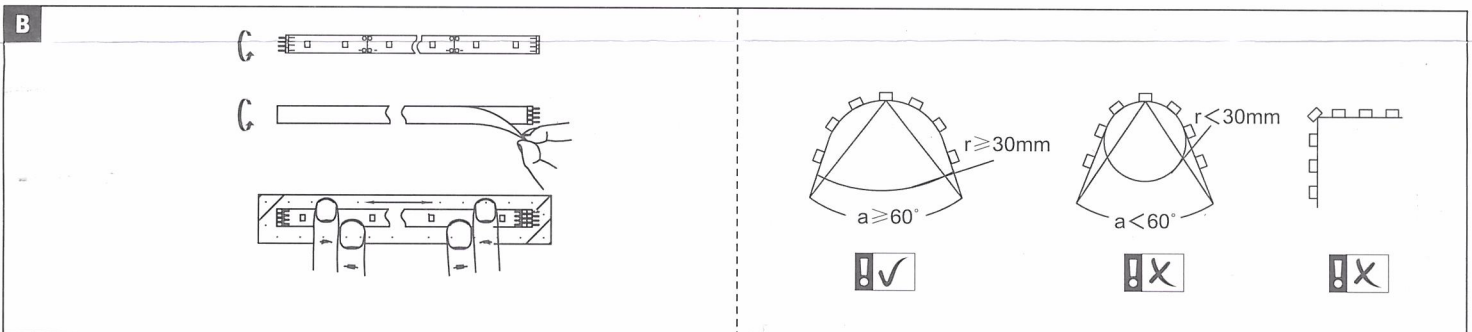


1X  1X  1X  1X 

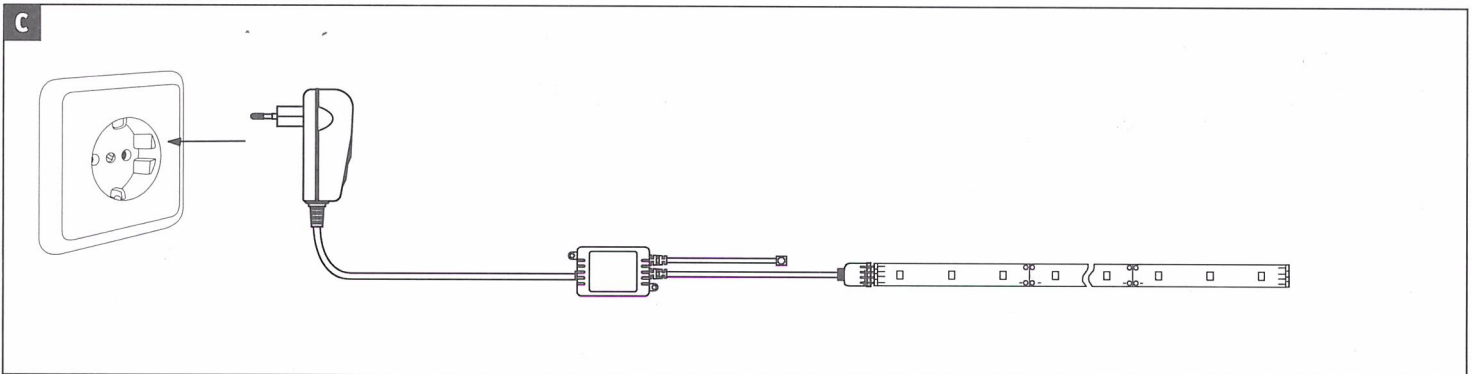
A



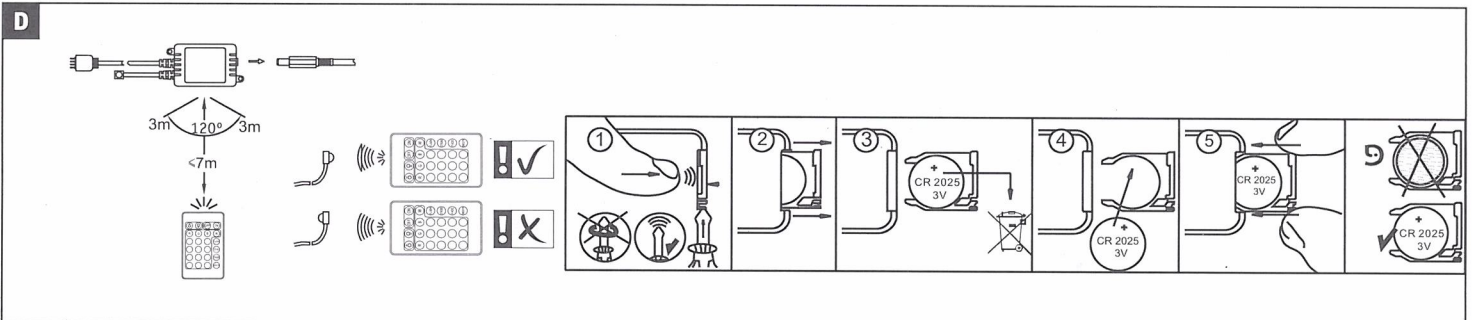
B

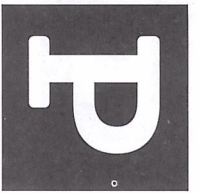


C

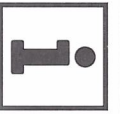


D





Paulmann



www.paulmann.com/manual-digled/all



Static Light effects:
dimming brightness up
Dynamic Light effects:
increases speed of light effect
IC number setting:
reactivates unlighted stripe segments



WWW shift key.



IC number setting / electronic cutting
flow to centre from two terminals
(CS,C3,C7,C16)



eight-color choice key in static model



Trail into right (CS,C3,C7,C16)



three-color choice key in static model



Horse race to right direction (CS,C3,C7,C16)



seven-color choice key in static model



spread to right (CS,C3,C7,C16)



sixteen-color choice key in static model



Queued color running to right with a tag
(CS,C3,C7,C16)



Static Light effects:
dimming brightness down
Dynamic Light effects:
slows down speed of light effect
IC number setting:
deactivates last stripe segments



ON/OFF key



flow to two terminals from centre
(CS,C3,C7,C16)



Auto-cycle mode



Trail into left (CS,C3,C7,C16)



Horse race to left direction (CS,C3,C7,C16)



Flash function key (CS,C3,C7,C16)



spread to left (CS,C3,C7,C16)



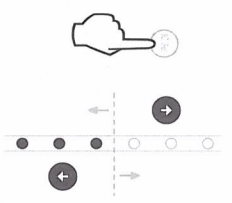
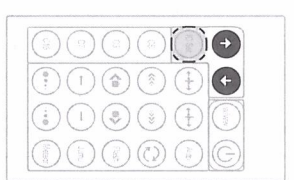
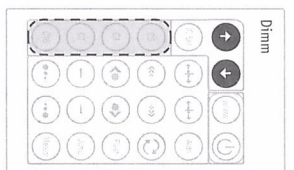
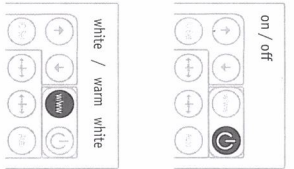
Jump efficient key (CS,C3,C7,C16)



Queued color running to left with a tag
(CS,C3,C7,C16)



Queued color running with a tag from two directions in turn



IC number setting / electronic cutting

