



Safety Instructions



1, 2, 3, 4, 5, 6, 7, 8, 9, 10, 11, 12, 13, 14

Art.-Nr.:
760.00

(+MA 173)

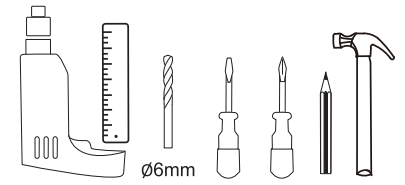
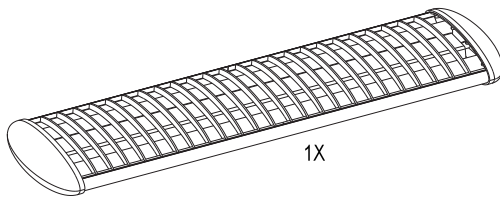


PKL 02/20



Paulmann Licht GmbH
Quezinger Feld 2
31832 Springe
Germany

www.paulmann.com

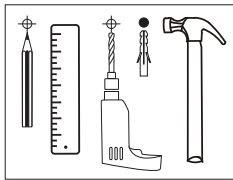
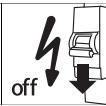


Nicht enthalten (Not included)

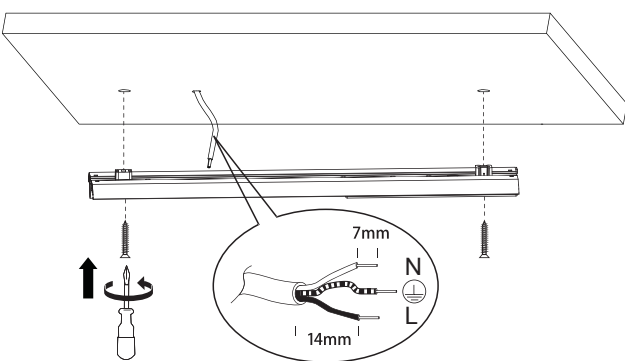
A



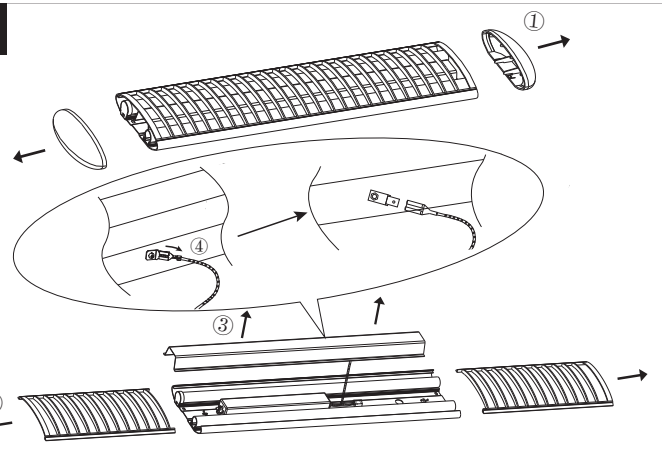
Safety Instructions
Nr. 9



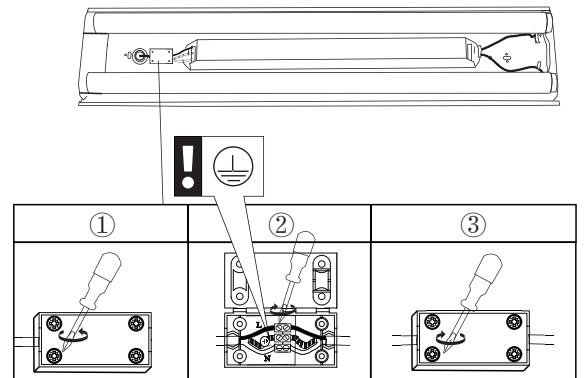
C



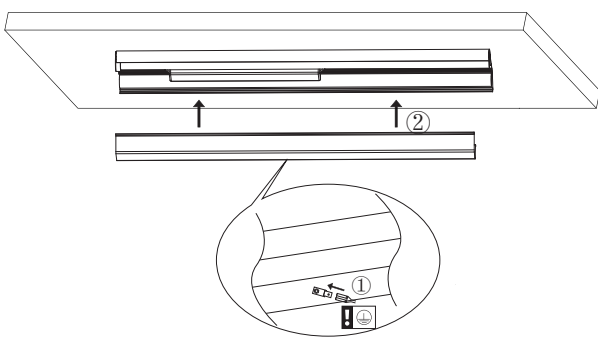
B



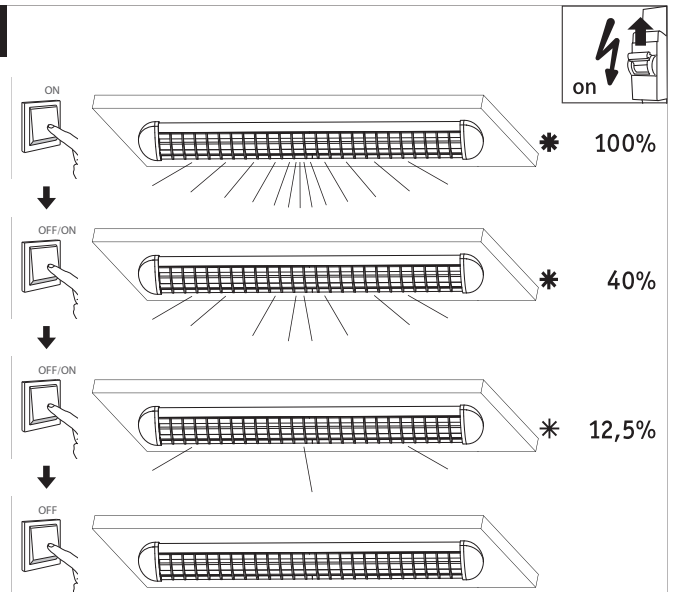
D



E



G



F

