












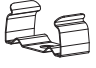





Safety Instructions 




 1, 2, 3, 4, 5, 6, 7, 8, 9


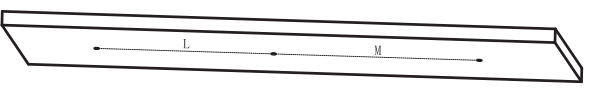
Art.-Nr.: **760.04**
230V ~ 50Hz 8W
(+Ma173) PKL 12/19



Paulmann Licht GmbH
Quezinger Feld 2
31832 Springe
Germany
www.paulmann.com

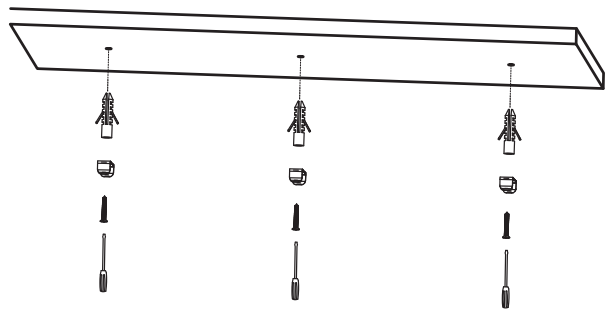
							
	3x	3x	3x	Nicht enthalten (Not included)			

A   off 

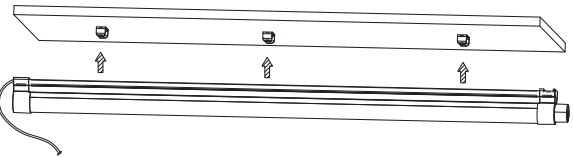





L+M (mm)
200+200

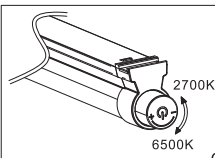
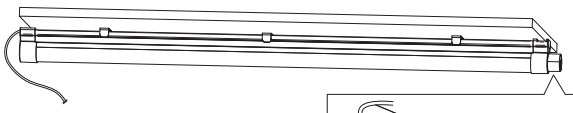
B






C

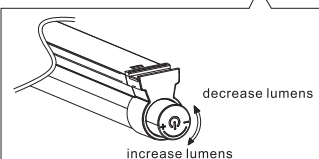



D   on 






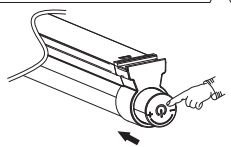
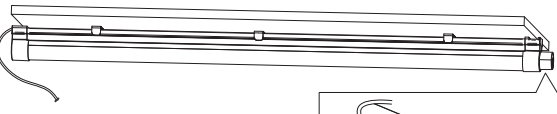
2700K
6500K
CCT Change
Press the switch

E   on 




decrease lumens
increase lumens
Stepless dimmable
Press the switch again


F   on 








Press switch 2s, light turns off





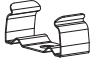





Safety Instructions 

 1, 2, 3, 4, 5, 6, 7, 8, 9

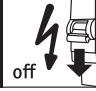

Art.-Nr.: **760.05**
230V ~ 50Hz 12W
(+Ma173) PKL 12/19



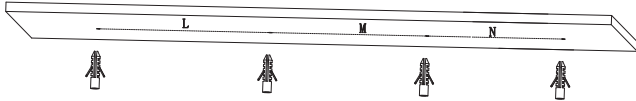
Paulmann Licht GmbH
Quezinger Feld 2
31832 Springe
Germany
www.paulmann.com

							
	4x	4x	4x	Nicht enthalten (Not included)			

A

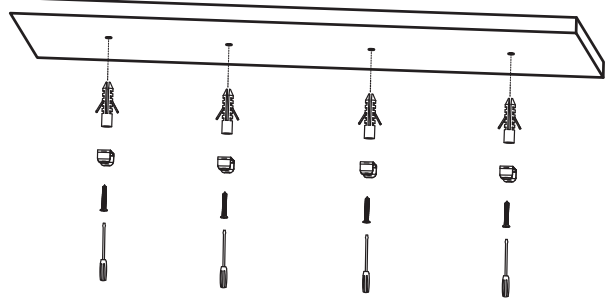


off

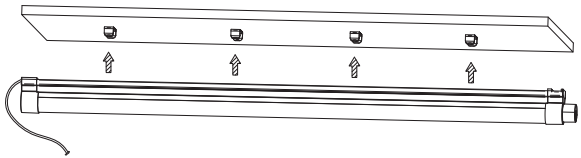


L+M+N (mm)
250+250+250



B



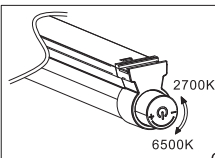

C



D

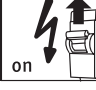



on

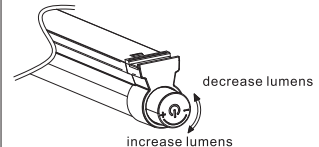
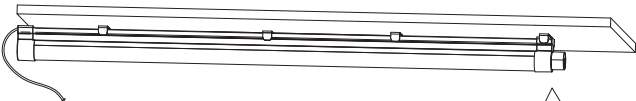


CCT Change
Press the switch

E





on

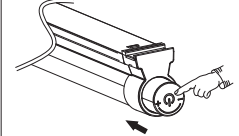
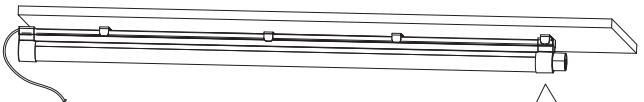


decrease lumens
increase lumens
Stepless dimmable
Press the switch again

F



on



Press switch 2s, light turns off