




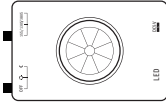
Art.-Nr.: 789.00 


(+MA 321) PLIR 08/20


CE

1x 

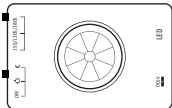

1x 

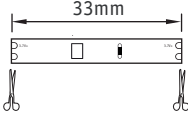
1x 

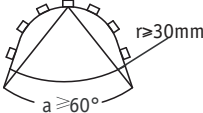



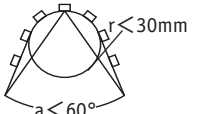




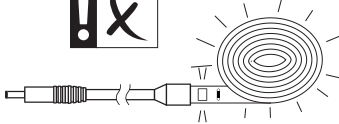
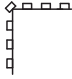

A

 → 




 33mm


 $r \geq 30\text{mm}$
 $a \geq 60^\circ$ 


 30mm
 $a < 60^\circ$ 

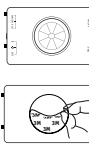
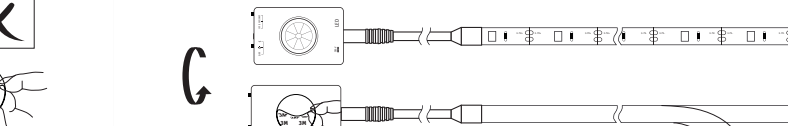
   

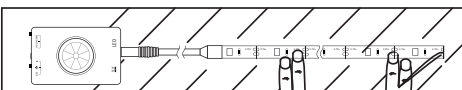
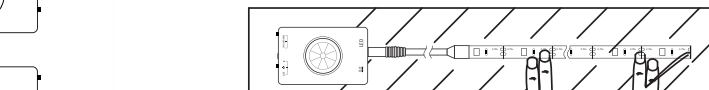
B

round iron 



 Round iron sheet with 3M tape

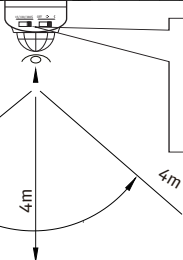
 



 

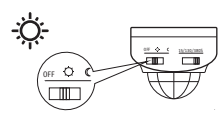

the sensor toward to the body induction area



C


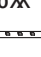
 



 4m 4m 4m 100°


moving on leave  15/130/380Sec 


moving on leave  15/130/380Sec 

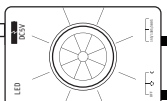
>5Lux off <5Lux on

on on


Recharge


USB DC 5V 

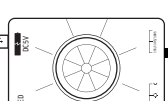
red color 



Charging indicator in red indicates battery is charging

USB DC 5V 

blue color 



Charging indicator in blue indicates the battery is full