



Safety Instructions

1,2,3,4,5,6,7,10,12,13,19,24,
29,31,32,33,34,



31.08.2021

ENERGY LABEL 874/2012

A++ - A

01.09.2021

ENERGY LABEL 2019/2015

G

www.paulmann.com/symbols

Paulmann Licht GmbH
Quezinger Feld 2
31832 Springe
Germany

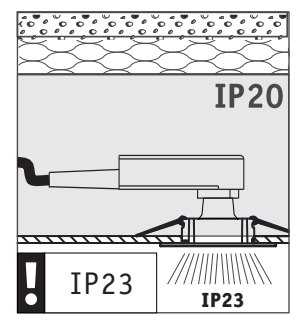
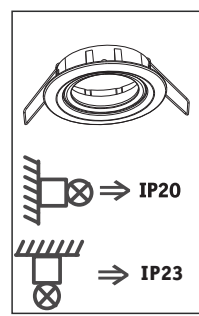
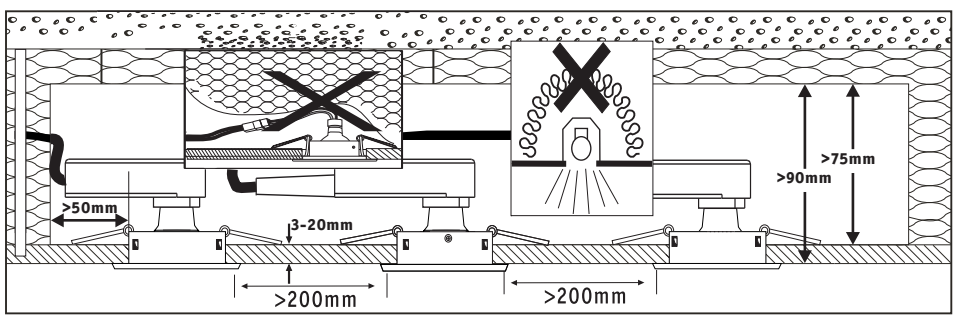
www.paulmann.com

Art.-Nr.: 934.28/934.29/934.30/
934.31/934.32/934.33/
934.34/934.35/934.36/
934.37/934.38
(+MA326)PBO 09/20



	934.28 934.30 934.32		1x		1x		1x		1x		934.29 934.31 934.33 934.34		3x		3x		3x		3x
--	----------------------------	--	----	--	----	--	----	--	----	--	--------------------------------------	--	----	--	----	--	----	--	----

	934.35 934.37		1x		1x		1x		1x		934.36 934.38		3x		3x		3x		3x	
--	------------------	--	----	--	----	--	----	--	----	--	------------------	--	----	--	----	--	----	--	----	--



A

Safety Instructions Nr. 5, 7

(\varnothing 68mm)

B

1

2

3

Nr. 4, 5

C

D

E

F

