



Paulmann

Safety Instructions

1,2,3,4,5,6,7,8,12,13,19,24,
29,31,32,33,34,



31.08.2021

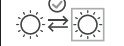


A++ - A

01.09.2021



G



www.paulmann.com/symbols

Paulmann Licht GmbH
Quezinger Feld 2
31832 Springe
Germany



www.paulmann.com

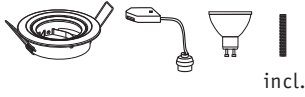
Art.-Nr.:

936.01/936.02/
936.03/936.04/
936.05/936.06/
936.07/936.08/
936.39/936.40/
936.41/936.42/

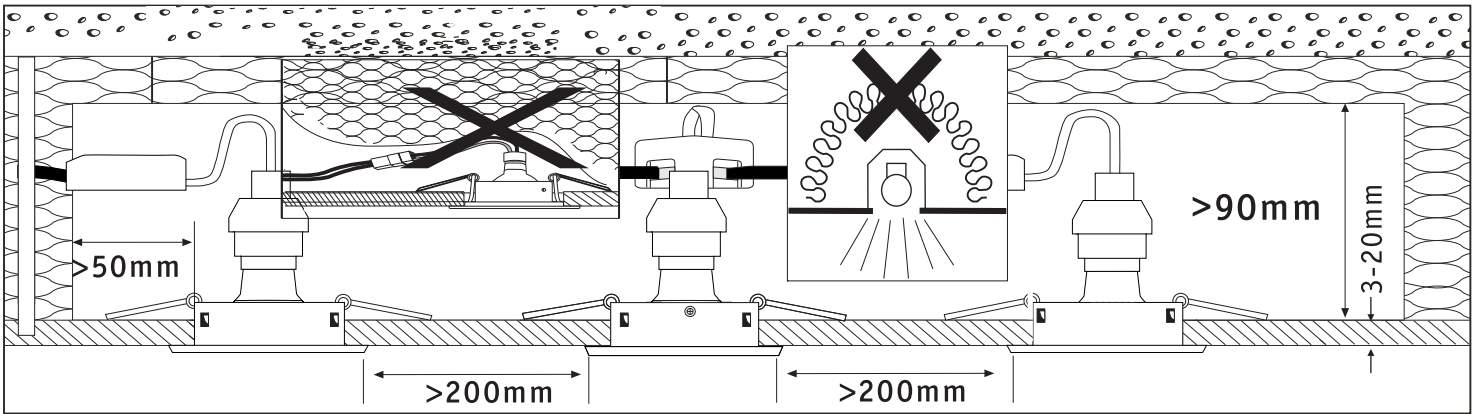
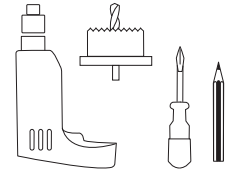
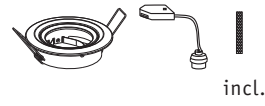
(+MA326)PB0 09/20



936.01/936.02/936.03/
936.04/936.05/936.06/
936.07/936.08/



936.39/936.40/
936.41/936.42/



A Safety Instructions Nr. 5, 7 off

68mm (Ø 68mm)

B Nr. 4, 5

1 7mm 14mm

2 230V

C

D

E

F

