

### Safety Instructions

1, 2, 3, 4, 5, 6, 7, 8, 9, 12, 16,  
17, 18, 19, 20, 22, 24, 28,  
33, 34



### Info Hotline



+49 (0) 5041 998 389

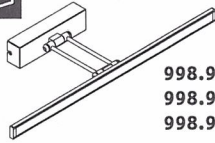
Mon. - Do. 7<sup>00</sup> - 20<sup>00</sup>  
Fr. 7<sup>00</sup> - 17<sup>00</sup>

Paulmann Licht GmbH  
Quezinger Feld 2  
31832 Springe  
Germany

[www.paulmann.com](http://www.paulmann.com)

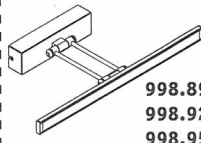
Art.-Nr.: 998.88-998.89  
998.90-998.91  
998.92-998.93  
998.94-998.95  
998.96

(+MA326) PSU 06/16



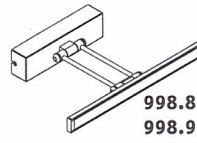
998.90  
998.93  
998.96

1x



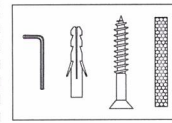
998.89  
998.92  
998.95

1x

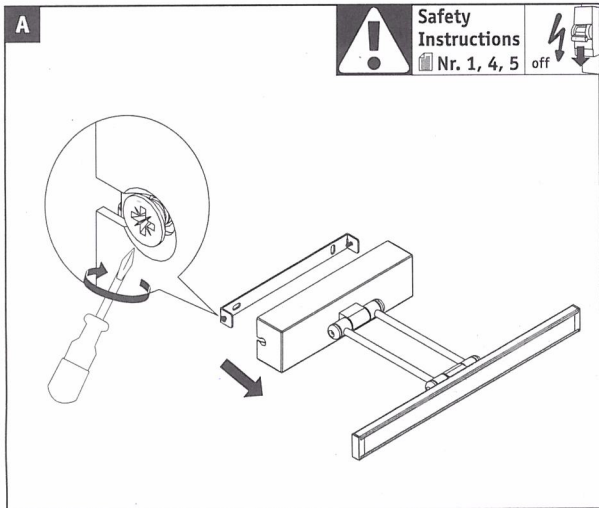


998.88  
998.91  
998.94

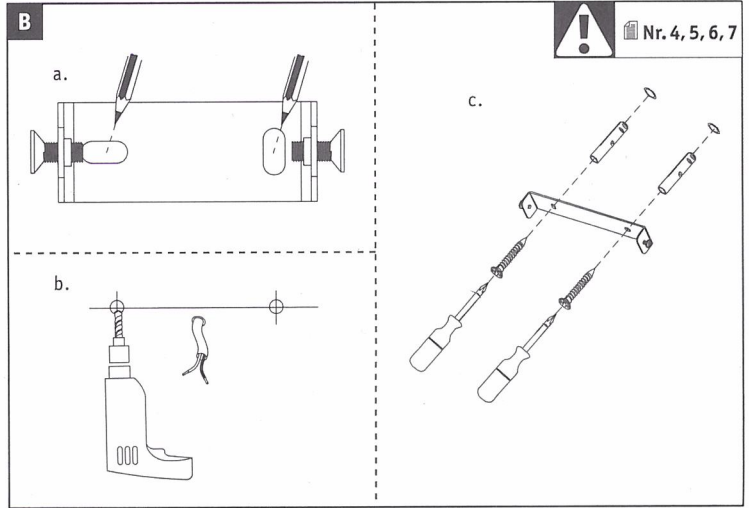
1x



Incl.



Safety  
Instructions  
Nr. 1, 4, 5



Nr. 4, 5, 6, 7

